



# KMI DIGITAL AUTO GAS FILLER

SAFE AND GOOD QUALITY



## ***K-100 I SERIES***

Electronic Load Cell Type

- ***Accurate Filling***  
***Digital Display.***  
***Precise Scale.***  
***Exact weight calculation***
- ***Explosion proof design :***  
***Reliable Safety Features***
- ***Weight Balance Mounted***  
***Easy to fill the gas***
- ***Electronic Load Cell Type***  
***Electronic weighing principle***
- ***Economical price***
- ***Quick Connect Valve Mounted***
- ***Fixed Unit Included***  
***No vibration***  
***Easy to inject/eject a cylinder***

Only the very best **quality** of materials goes into KMI's electronic filling machine. The result is guaranteed long wear, attractiveness and real comfort. We want to delivery the **quality** of the goods guaranteed perfectly to you.



## 1. FEATURES AND FUNCTIONS



### **What's the merit of KMI's Electronic Filling Machine, K-100 I SEREIS?**

- It's very easy to operate the keyboard on the indicator box.
- K-100 I can integrate the quantity of cylinder and filling amount automatically.
- It is included a "delete function" by using an Password Number.
- It can be operated in any weathers and choose a precise load cell and Indicator.
- You can change the weight setting value during filling process.
- It's very safe due to explosion proof type indicator box.



---

## **How do the KMI's Electronic Filling Machine K-100 I SEREIS work ?**

- At the first filler capacity guarantee of the gas filler can get the high efficiency when the difference pressure between GAS storage tank and GAS PUMP out keep over  $\Delta P$  5kg/Cm<sup>2</sup> and guarantee the standard of fixed vessel for GAS amount of flowing.
- After setting up the amount of the charge within the weight of the vessel by the KEYBOARD on the operating panel, DISPLAY II appears and total filled weight appears in DISPLAY I . The end lamp turns it on as red lamp after filling complete.
- Real filling amount marked without weight of vessel on DISPLAY II.
- Put on the empty vessel on cylinder holding plate of the filler road cell and connect the CONNECT VALVE. Set up the weight the charge of KEYBOARD and then push the START SWITCH. After that width SOLENOID VALVE turn on and liquid gas fill into the vessel.
- After finish filling set weight , give the signal to block width SOLENOID VALVE in indicator box.
- After connection valve moved out automatically, filled vessel taking out on conveyor and delivered.
- Check the filling amount with check scale. And check the leakage and delivered .
- Arriving and attached pallet , take to the consumer.



**2. PRODUCTS AND SPECIFICATION**

2-1. FILLING MACHINE(Model : K-100 IBP)



**SPECIFICATION OF KMI'S FILLING MACHINE(K-100 IBP)**

Measurement Type	Electronic Load Cell Type
Weight Range	0~150kg
Graduation Unit	50g
Regular Voltage	220V
Pneumatic Air Pressure	4~5kg/cm <sup>2</sup>
Electric Consumption	30W
Using Gas	LPG
Total Weight	115kg
Available Temperature	-20°C ~ + 50°C
Measurement (mm)	450(W) X 720(L) X 1880(H)
Explosion Proof Grade	Ex d[ia] IIA T4



2-2. FILLING MACHINE(Model : K-100 IB)



SPECIFICATION OF KMI'S FILLING MACHINE(K-100 IB)	
Measurement Type	Electronic Load Cell Type
Weight Range	0~150kg
Graduation Unit	50g
Regular Voltage	220V
Pneumatic Air Pressure	4~5kg/cm <sup>2</sup>
Electric Consumption	30W
Using Gas	LPG
Total Weight	115kg
Available Temperature	-20°C ~ + 50°C
Measurement (mm)	450(W) X 720(L) X 1880(H)
Explosion Proof Grade	Ex d[ia] IIA T4



2-3. FILLING MACHINE(Model : K-100 IP)



SPECIFICATION OF KMI'S FILLING MACHINE(K-100 IP)	
Measurement Type	Electronic Load Cell Type
Weight Range	0~150kg
Graduation Unit	50g
Regular Voltage	220V
Pneumatic Air Pressure	4~5kg/cm <sup>2</sup>
Electric Consumption	30W
Using Gas	LPG
Total Weight	115kg
Available Temperature	-20°C ~ + 50°C
Measurement (mm)	450(W) X 720(L) X 1880(H)
Explosion Proof Grade	Ex d[ia] IIA T4



2-4. FILLING MACHINE(Model : K-200 IB)



SPECIFICATION OF KMI'S FILLING MACHINE(K-200 IB)	
Measurement Type	Electronic Load Cell Type
Weight Range	0~150kg
Graduation Unit	20~50g
Regular Voltage	220V
Pneumatic Air Pressure	4~5kg/cm <sup>2</sup>
Electric Consumption	30W
Using Gas	LPG
Total Weight	95kg
Available Temperature	-20°C ~ + 50°C
Measurement (mm)	450(W) X 720(L) X 1300(H)
Explosion Proof Grade	Ex d[ia] IIA T4



2-5. FILLING MACHINE(Model : K-200 IP)



SPECIFICATION OF KMI'S FILLING MACHINE(K-200 IP)	
Measurement Type	Electronic Load Cell Type
Weight Range	0~150kg
Graduation Unit	20~50g
Regular Voltage	220V
Pneumatic Air Pressure	4~5kg/cm <sup>2</sup>
Electric Consumption	30W
Using Gas	LPG
Total Weight	95kg
Available Temperature	-20°C ~ + 50°C
Measurement (mm)	450(W) X 720(L) X 1300(H)
Explosion Proof Grade	Ex d[ia] IIA T4





2-6. CONNECT VALVE(FILLING HEAD - Model : KCP-100B)



SPECIFICATION OF KMI'S FILLING HEAD(KCP-100B)	
Working Air Pressure	4~5kg/cm <sup>2</sup>
Connection Size	Gas line : PT1/2", Air line : $\phi$ 8
Dimension	$\phi$ 65x240mm
Total Weight	2kg
Functions	Quick connection device to connect gas line to a cylinder

👉 Designs and specifications are subject to change according to the Specification of the cylinder valves.



2-7. CONNECT VALVE(FILLING HEAD - Model : KCP-100P)



SPECIFICATION OF KMI'S FILLING HEAD(KCP-100P)	
Working Air Pressure	4~5kg/cm <sup>2</sup>
Connection Size	Gas line : PT1/2", Air line : $\phi$ 8
Dimension	$\phi$ 64x480mm
Total Weight	1.8kg
Functions	Quick connection device to connect gas line to a cylinder

👉 Designs and specifications are subject to change according to the Specification of the cylinder valves.

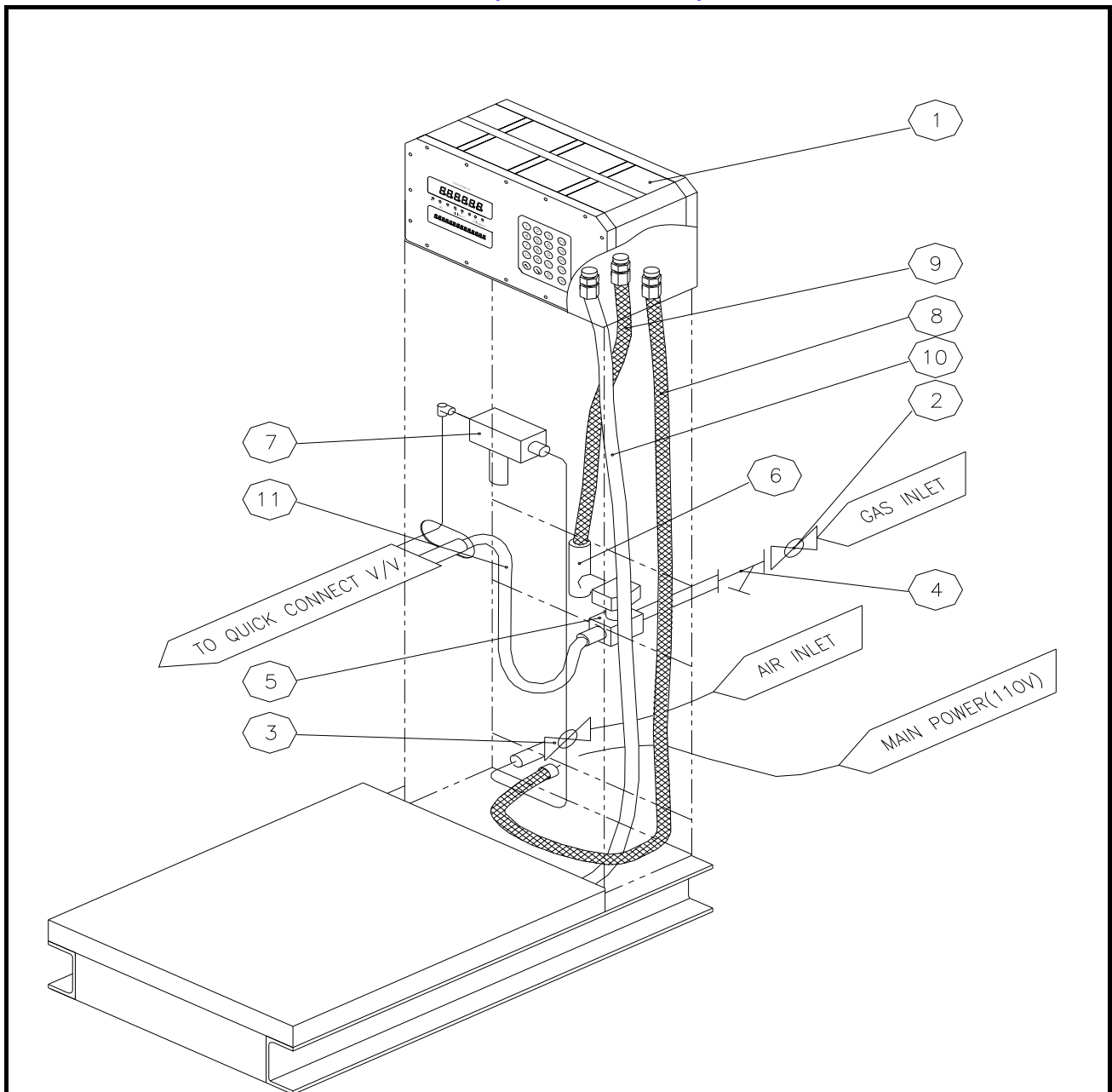


2-8. CAROUSAL

SERIES	MODEL NO	FILLING CAPACITY	
		KG/HR	TON/MONTH
-	K-100 I	820	196
6	K-100 I - 06	4920	1180
8	K-100 I - 08	6560	1574
10	K-100 I - 10	8200	1968
12	K-100 I - 12	9840	2361
16	K-100 I - 16	13120	3148
18	K-100 I - 18	14760	3542
20	K-100 I - 20	16400	3936
24	K-100 I - 24	19680	4723

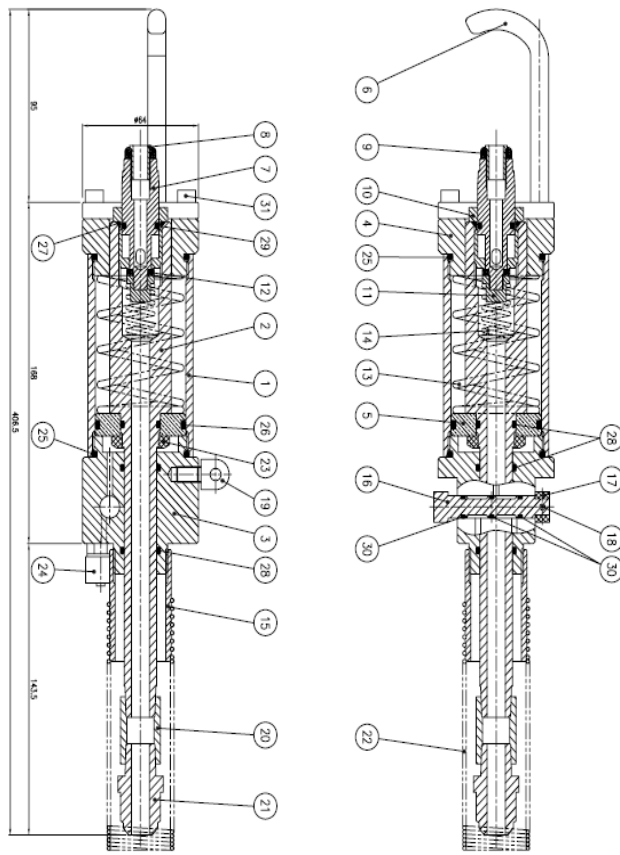
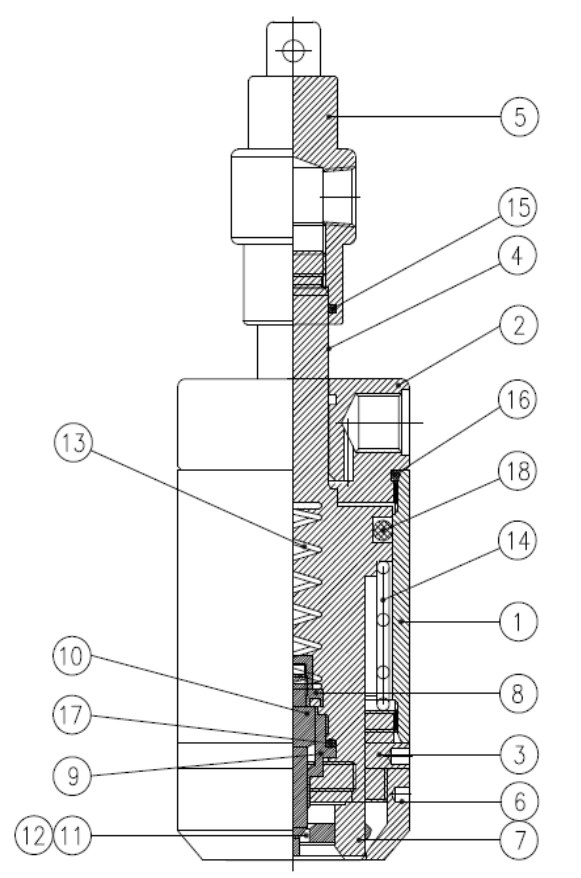
**3. DRAWINGS**

**3-1. FILLING MACHINE ASSEMBLY (K-100 I SERIES)**



NO	PART NAME	NO	PART NAME
1	Indicator Box	8	Exp. Flexible
2	Ball Valve (Gas)	9	Exp. Flexible
3	Ball Valve (Air)	10	Increased Safety Flexible
4	Strainer	11	High Pressure Hose
5	Solenoid Valve		
6	Exp. Elbow		
7	Air Unit	-	-

**3-2. CONNECT VALVE (FILLING HEAD)**

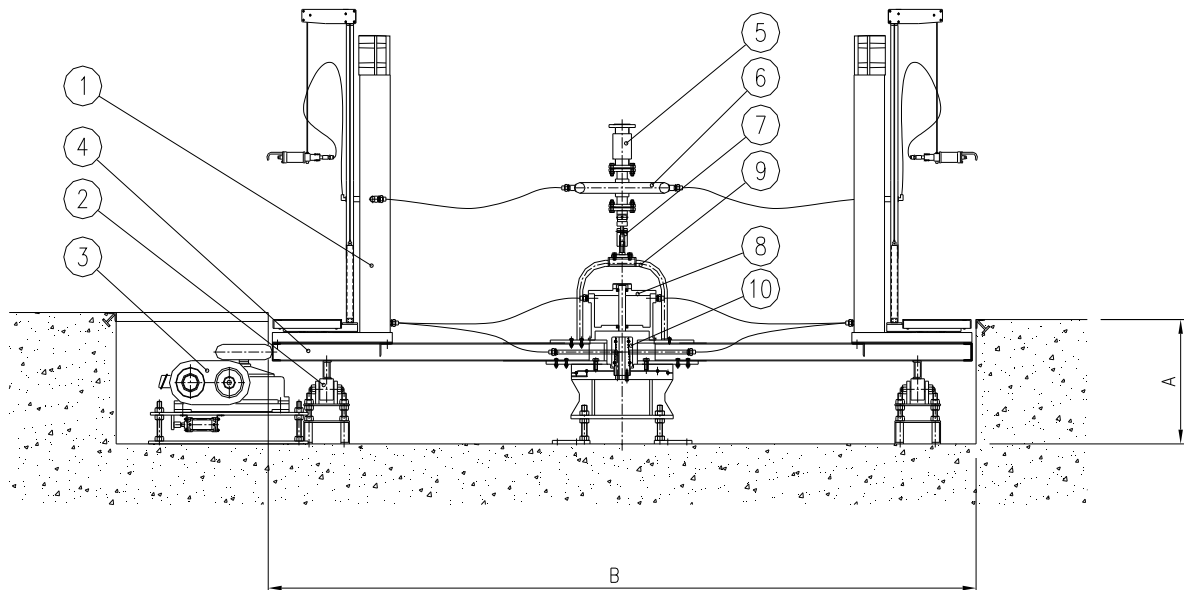
<p><b>HORIZONTAL</b></p> 	<p><b>VERTICAL</b></p> 
<b>SPECIFICATION</b>	
Model No. : KCV-100P	Model No. : KCV-100B
Hose end connection thread : 15A	Hose end connection thread : 15A
Working air pressure : 4~5kg/cm <sup>2</sup>	Working air pressure : 4~5kg/cm <sup>2</sup>
Using gas : LPG	Using gas : LPG

KMI's Filling machine, **K-100 I SERIES** is mounted on quick connect valve (filling head) and operate by semi-automatic. The customer can choose one out of two valves according to the customer requirement.

Filling head shall be pneumatically operated, assembled on a special support that allows a partial free horizontal and vertical movement to facilitate and guarantee the connection of cylinders even if off-centered. The pin travel length of the filling head's, valve pin shall be 2.8mm +/- 0.2mm.



**3-3. CAROUSEL ASSEMBLY**



NO	PART NAME	NO	PART NAME
1	Digital Auto Gas Filler	7	Universal Joint
2	Carousel Roller Assembly	8	Electric Distributor
3	Speed Gear Reducer	9	Support
4	Carousel (Turn Table)	10	Air Distributor
5	Gas Swible Joint		
6	Gas Distributor		

**DIMENSION**

MODEL NO	SIZE OF CAROUSEL		SPEC OF CIVIL WORK	
	A (mm)	B (mm)	A (mm)	B (mm)
K-100 I-06	700	2900	700	2950
K-100 I-08	700	3310	700	3360
K-100 I-10	700	3730	700	3780
K-100 I-12	700	4140	700	4190
K-100 I-16	700	4810	700	4860
K-100 I-18	700	5100	700	5150
K-100 I-20	700	5580	700	5630
K-100 I-24	700	6340	700	6390



## **What's KMI's Carousal ?**

Carousal is steel platform supported by a No. of running wheels fixed underneath the frame and running on a steel rail fastened to the floor. The carousal around a center column which serves as axis of rotation as well as a distributor of LPG, electricity and compressed air to the individual filling machines.

## **How do the KMI's Carousal work ?**

- It is The BASE FRAME rotary gear of rotary gas filling SYSTEM, which maintains the maximum filling efficiency with gas filler construction in the minimum room.
- It is possible to product various kind from the minimum 6 series type to the maximum 32 series type.
- It is working by rotation of SWIVEL JOINT and CAROUSEL BEARING part which attached to the region which the gas put into CAROUSEL. GAS PUMP sends the gas from storage tank.
- At that time, working power is supplied from DRIVING UNIT which made of MOTOR, WORM REDUCER and rubber wheel.
- Engineering blueprint for CAROUSEL establishment is supplied by KMI and only suitable construction can extend and guarantee life of the CAROUSEL' use.
- The special attention for the engineering work is construction of CAROUSEL's DIA and the part which foundation roller weigh.  
KMI supplies the processed ANGLE with original type and blueprint for construction of engineering DIA.